

Frameless Cabinetry Installation Instructions

Necessary Materials

FURNISHED MATERIALS

- Shelf Clips
- #10-3" Screws (4 per wall cabinet, 2 per base cabinet)
- #8-1½" Screws (2 per cabinet)
- Plastic screw cover caps
- #8-1½" Phillips Head Screws (1 per base cabinet)

YOU MAY ALSO NEED:

- A stud finder, used to find the vertical studs within a wall.
- Several pieces of straight, square lumber like 1 × 4's and 2 × 4's, six to eight feet in length. These can be used to construct a "T-Bar" support for holding the wall cabinets at the proper height.
- Cedar shakes (shingles or other suitably tapered pieces of wood) for shimming cabinets up from the floor or out from the wall.
- Touch-up acrylic caulking (available from your Merillat dealer) for hiding joints and seams after installing trim. Available in white and gray.

TOOLS REQUIRED

- Tape measure
- Carpenter or mason's level at least 24" in length
- Carpenter's square
- Chalk line or string
- Pencil
- Phillips screwdriver, medium (#1) size for #8 or #10 screws
- Power miter saw or hand miter box (for trim)
- Portable electric jigsaw (with fine-tooth blade)
- Electric drill
- Drill bit - 7/32"
- Drill bit - 3/8"
- Drafting compass
- Hammer
- 2 - 6" C-clamps
- Extension cord
- Step ladder
- Flat pry bar
- Medium coarse file

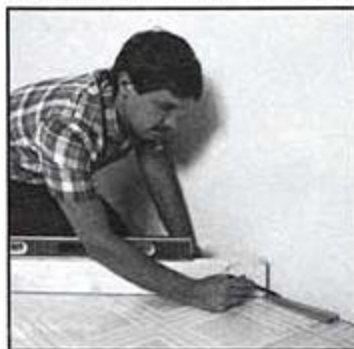
Room Preparation

Before you begin preparing the kitchen for cabinet installation, decide whether to do any extra remodeling. For instance, if you are installing a new floor, you should install the subfloor before installing your new cabinets. Painting and wallpapering should always be done last.

REMOVAL CHECKLIST

- Shut off water lines to the sink. Make sure that plumbing is adequate for new installation.
- Shut off gas and electricity to appliances. Make sure gas and electric supply is adequate for new installation.
- Remove all appliances including stove, oven, refrigerator and dishwasher. It is best to move these out of the kitchen to provide more room to work.
- Remove sink.
- Remove old counter tops.
- Remove all old cabinets.
- Remove baseboard trim moldings and any chair rail moldings that could interfere with cabinet installation.
- If replacing floor, remove old floor covering.

CHECK FOR UNEVENNESS IN FLOORS



Using a long, straight 2" × 4" and a carpenter's level, check the floor where the cabinets will sit for high spots. After the high spot has been determined, use the level and 2" × 4" to transfer and mark a point even with the high spot (bottom edge of 2" × 4") on the nearest wall. Measure all height dimensions from this "high point." Install base cabinets on a line level with this point. Cabinets may require shims to raise them to this point.

CHECK FOR UNEVENNESS IN WALLS



Using a long, *straight* piece of lumber, or a level, check the walls for uneven spots. Remove the high spots by scraping or sanding off excess plaster. Low spots can be shimmed out by tacking on thin, tapered pieces of wood or cedar shingles.

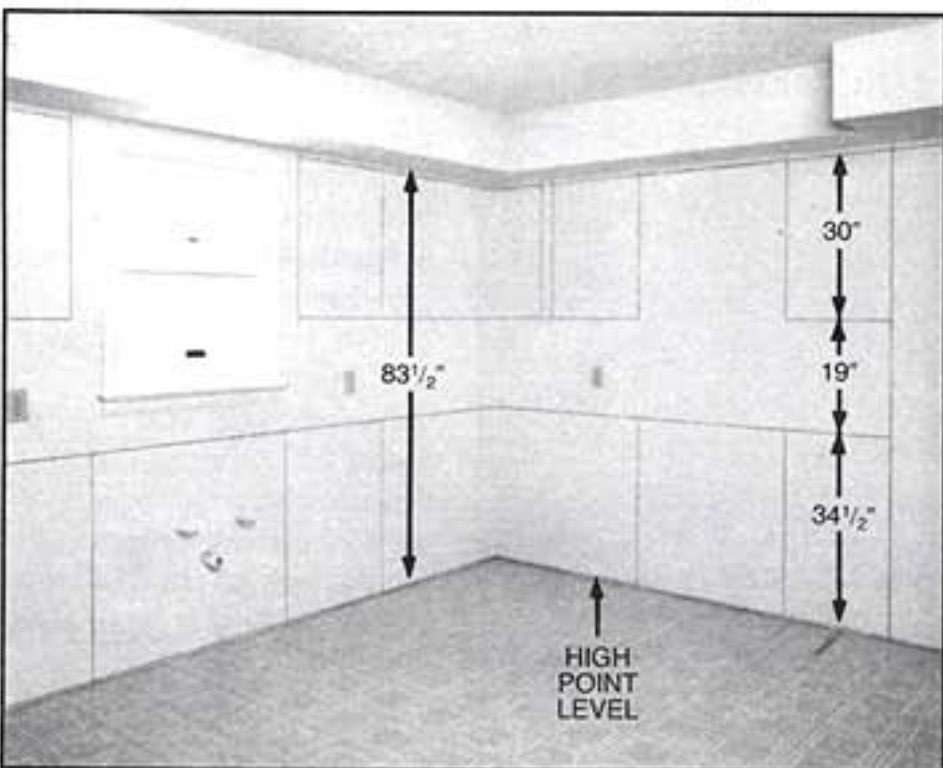
LOCATE STUDS



Find wall studs by using a magnetic stud finder (available at hardware stores) or by tapping a finishing nail into the solid sounding part of wall (make sure this area will be covered by cabinets later). Wall studs are usually 16" apart from center to center.

MARK LOCATION OF CABINETS ON WALL

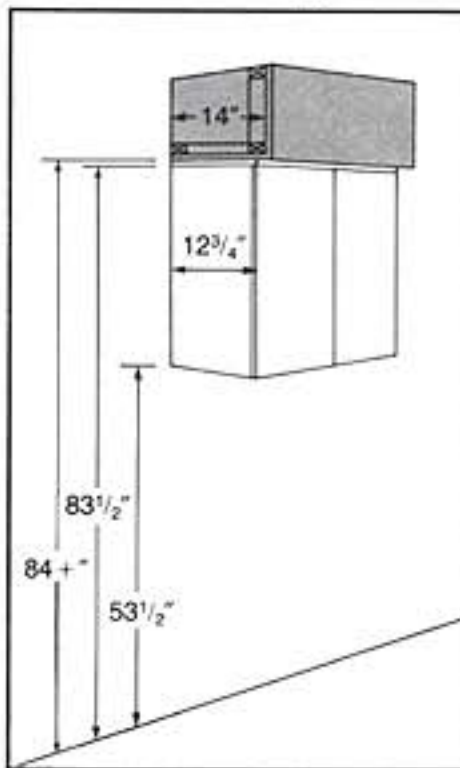
Mark the center line of each stud on the wall, so that cabinet mounting screws will be seated into solid material. Then draw a *level* horizontal line on the wall, connecting the studs around the room, $34\frac{1}{2}$ " from the high point of the floor. (This is where the top of the base cabinets will be.) Indicate on this line the location of each base cabinet. Most wall cabinets should be installed along a line $83\frac{1}{2}$ " from the high point (for 30"-high wall cabinets), or $95\frac{1}{2}$ " from the high point (for 42"-high wall cabinets). This will leave approximately $\frac{1}{2}$ " of space above the top of wall and tall cabinets, if a typical 84"-high soffit exists (see sections on tall cabinets and soffits included in this guide). This space can be filled later with scribe trim molding.



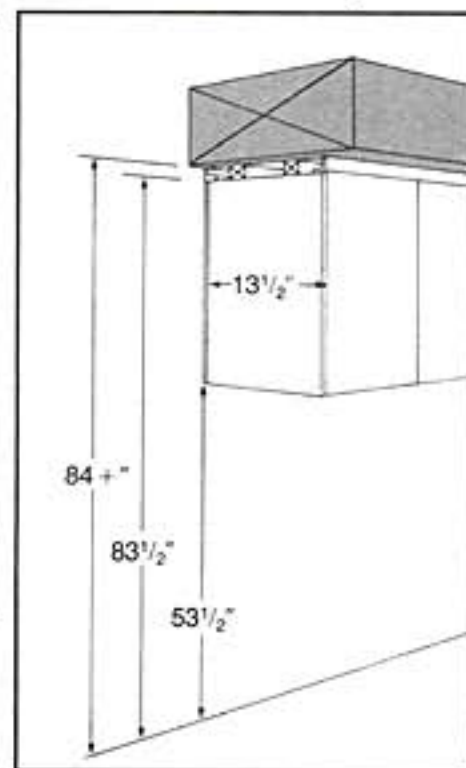
Mark the outlines of all cabinets on the wall to check actual cabinet dimensions against your layout.

Soffits

If soffits are to be built, they should be constructed and installed before installing the cabinets. Soffits in a room with 8-foot ceilings are normally 12" high \times 14" deep. This allows a $\frac{1}{4}$ " overhang beyond the cabinet door. Merillat standard wall cabinets are $12\frac{3}{4}$ " deep, from door face to back of cabinet. The bottom of the soffit should be 84" to $84\frac{1}{4}$ " from the floor in order to allow easy installation of upper cabinets over pantries or utility cabinets. The remaining space will be filled with scribe trim molding.



Soffits are usually constructed 12" high and 14" deep.



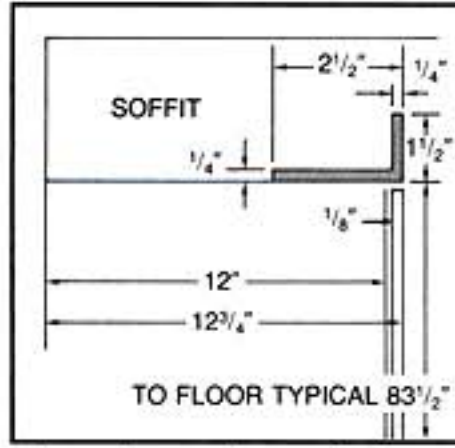
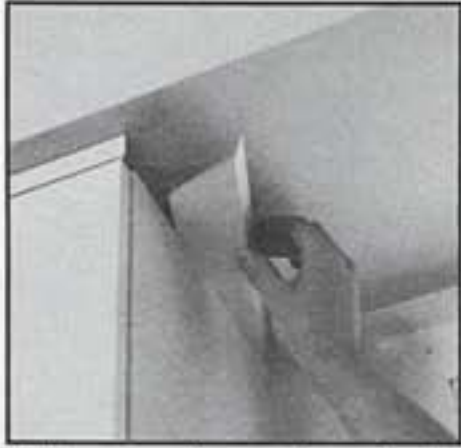
Peninsula soffits are usually 12" high and $16\frac{1}{4}$ " deep.

Merillat double-faced peninsula wall cabinets are $13\frac{1}{2}$ " deep. The soffit should contain sufficient structural framing to support fully-loaded cabinets.

Cabinets should not be installed tight to the underside of a ceiling or soffit. This does not provide enough tolerance for the door to clear ceiling obstructions like recessed lights, ceiling grids, etc. Additional blocking may be required to provide adequate margin between cabinet and soffit (see molding instruction sheet).

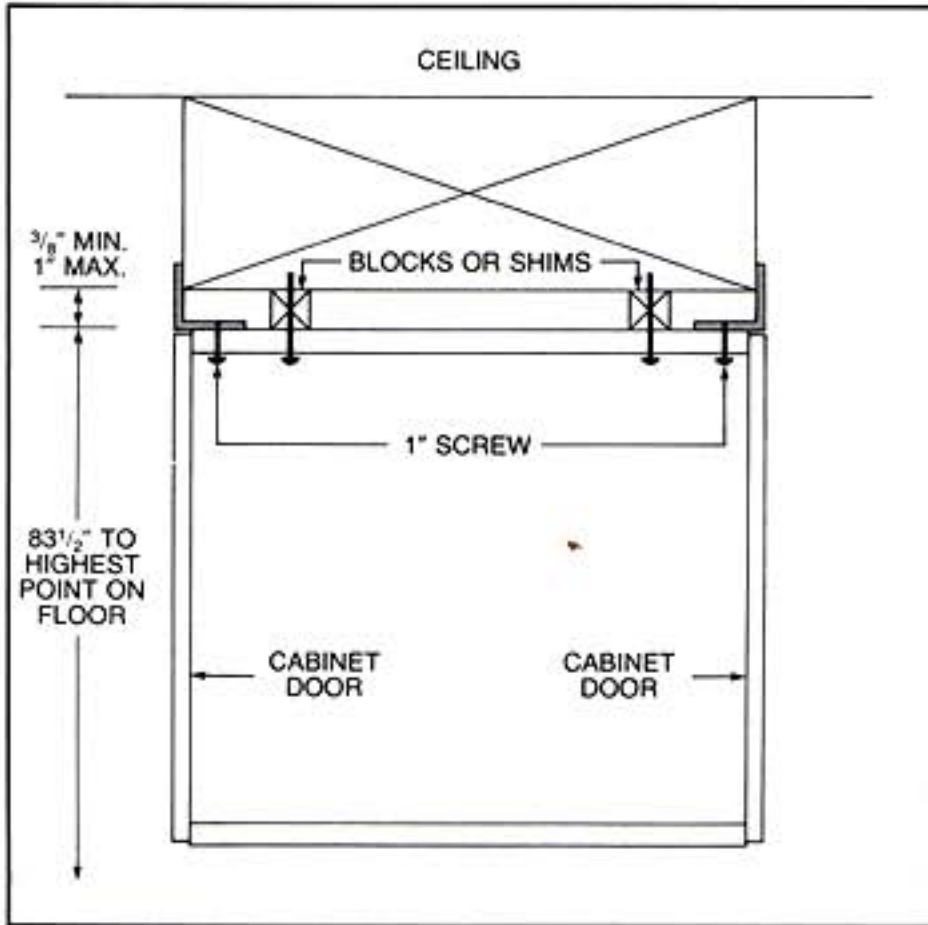
Tall cabinet combinations measure $83\frac{1}{2}$ " or $95\frac{1}{2}$ " in height. This provides $\frac{1}{2}$ " of clearance between the soffit bottom and cabinet top in a typical 8-foot ceiling installation. This gap can be filled with scribe trim molding to provide the proper clearance. Wall cabinets should be installed at $83\frac{1}{2}$ " to provide clearance for molding and an even fit with the top of tall cabinets.

SCRIBE TRIM MOLDING

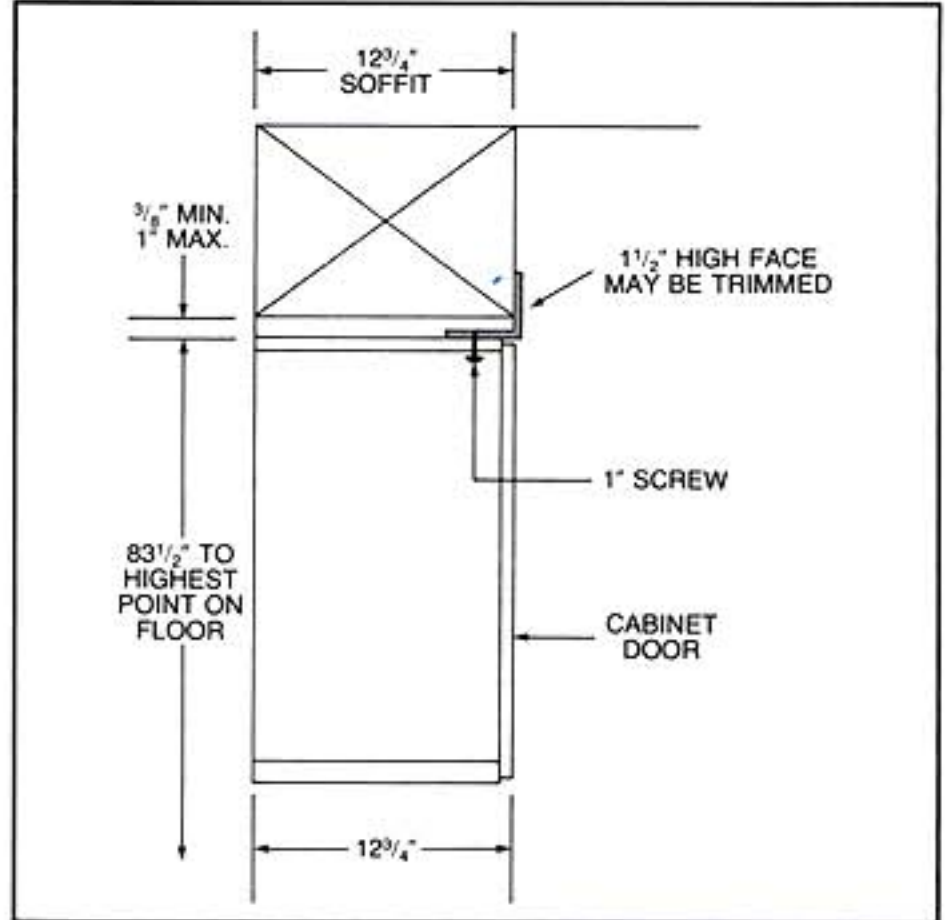


Scribe trim molding is designed to finish the gap between the top of wall or tall cabinets and uneven soffit or ceiling conditions.

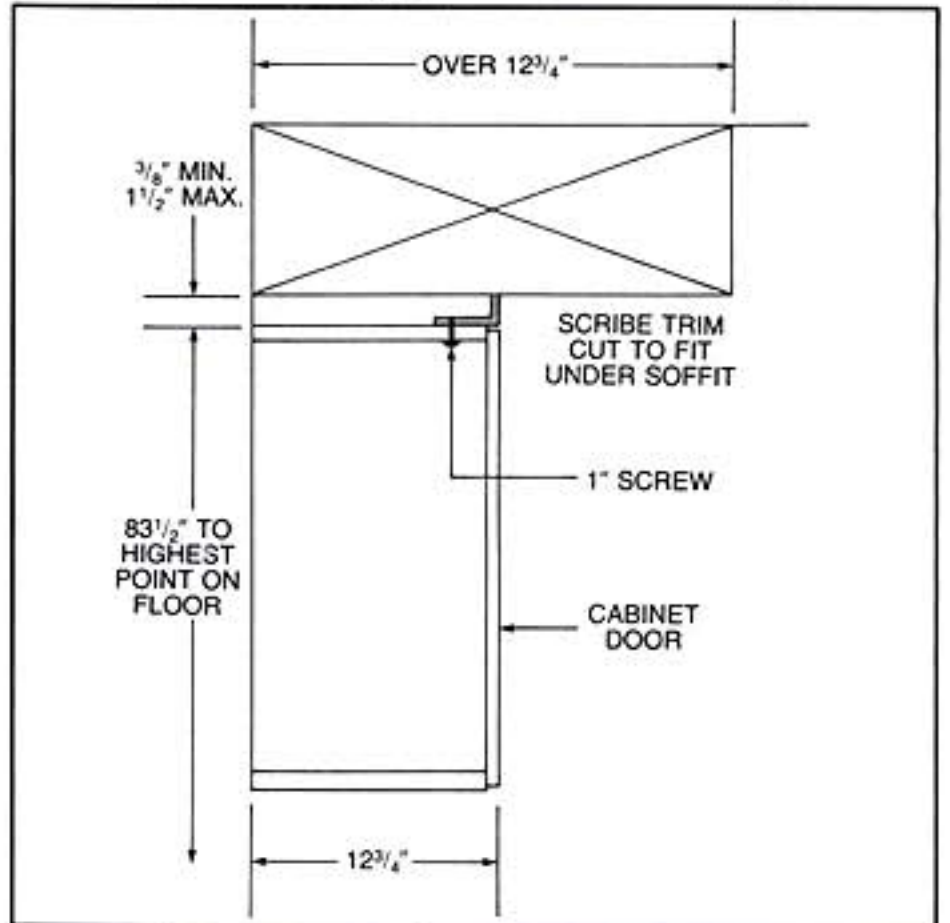
VARIOUS SOFFIT AND MOLDING APPLICATIONS



1. Double-Faced Soffit Built in Place (Scribe Trim Molding)



2. Shallow Soffit and Molding Application (Scribe Trim Molding)



3. Deep Soffit and Molding Application (Scribe Trim Molding)

Cabinet Preparation

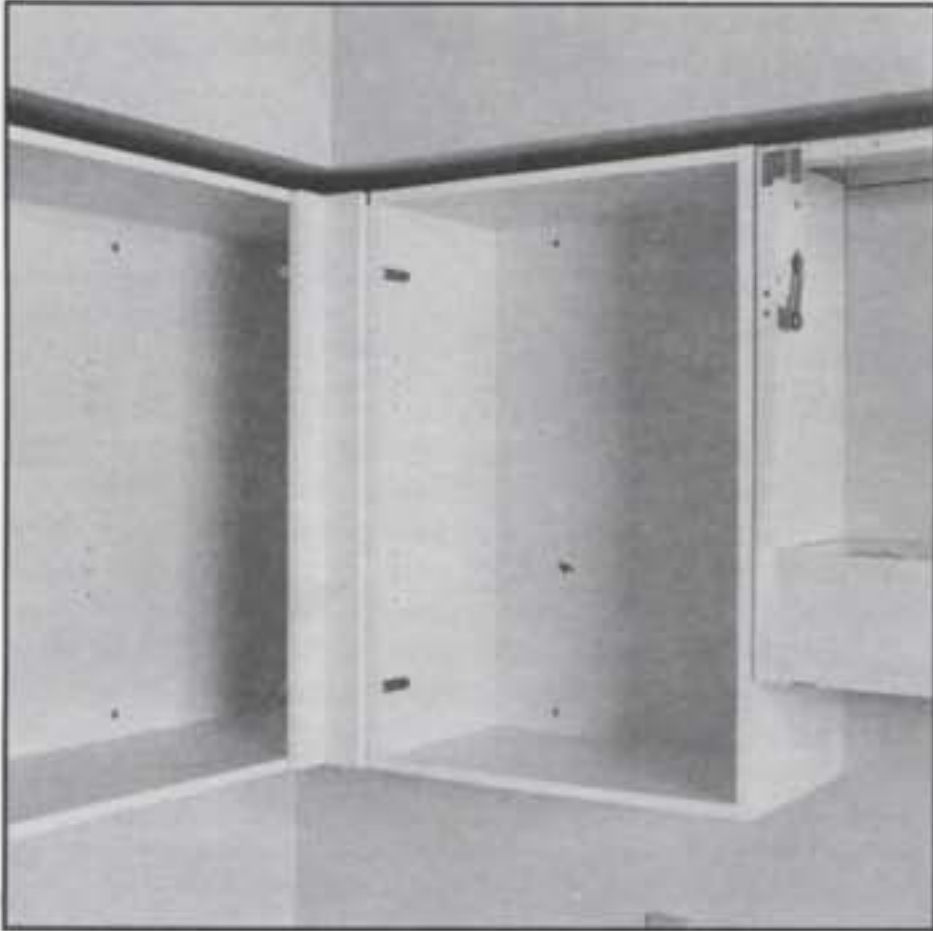
Installation will be much easier if you remove all doors and shelves first. This makes the cabinets lighter and easier to clamp together. (See hinge instructions on page 7.)

FILLERS

Often a filler must be used to add extra width so that your cabinets will fit into their assigned places. It is better to add fillers next to blind corner cabinets or at the end of the run, rather than between cabinets. It is also best to attach fillers to the cabinets before installing the cabinets.

BLIND CORNER CABINET FILLERS

If you are using a blind corner cabinet, you must make sure that the cabinet is pulled out from the corner the appropriate distance as indicated on your kitchen plan. This allows proper clearance for doors and drawers to open. For more on blind corner cabinets, see page 6 and the instructions included with each cabinet.



ATTACHING THE FILLER

Screw the filler to the side panel of the cabinet through the wood filler attaching bracket. The front edge of the filler should be flush with the front of the cabinet door. The door should be removed, so measure the thickness of the door and bumper (approximately $\frac{1}{4}$ "), to make sure the filler will line up correctly when the door is reattached.



SCRIBING A FILLER

When encountering an irregular or uneven wall surface, it is necessary to scribe (trim) the filler so that it will provide a tight fit between the cabinet and the wall. First, attach your filler to the end of the cabinet. Using a T-Bar support, position the cabinet so that it is level. Use the marks on the wall as a guide (See figure 1).

Making sure to keep the cabinet level at all times, slide the cabinet toward the wall until the filler touches the wall. Because the wall is uneven, only part of the filler will touch the wall. Set the width of your drafting compass at the point where the gap between the wall and filler is widest. Use the compass to draw a line on the filler that represents the exact irregularity of the wall.

Take the cabinet off the brace and remove the filler. Use your portable jigsaw to cut the filler along the line you have just drawn. Use a file or coarse sandpaper to smooth the cut edge. Reattach the filler to the cabinet. Now you're ready for installation.

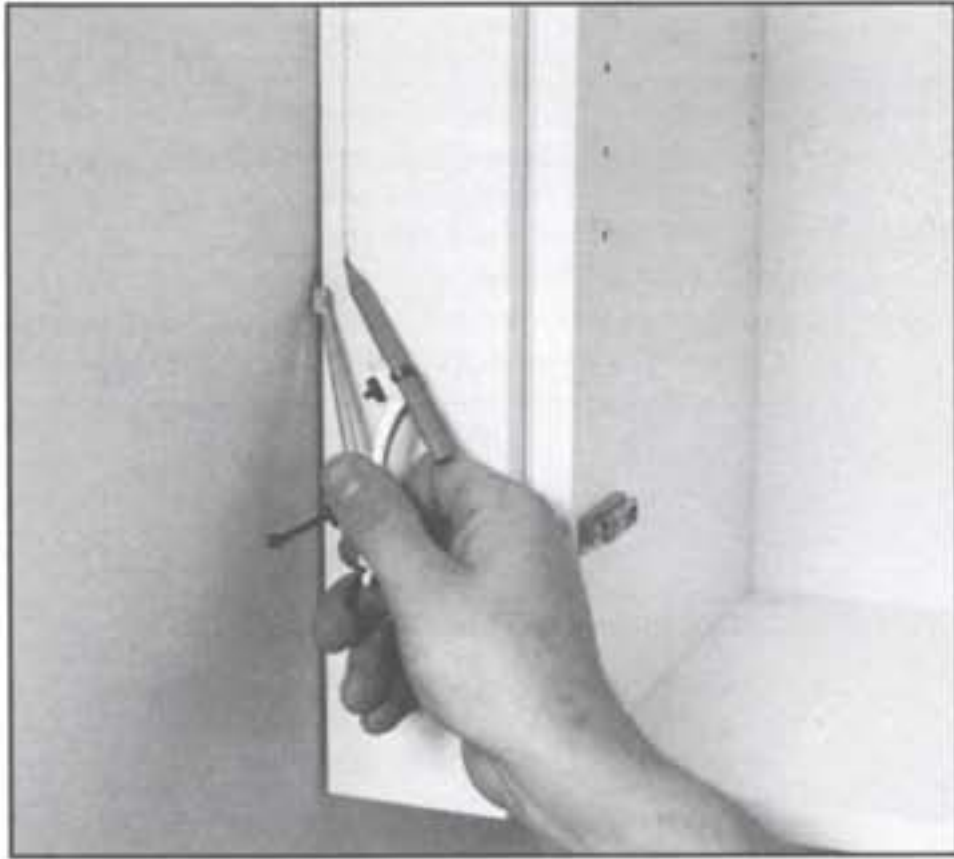


Figure 1

Installation

Frameless wall cabinetry is invertible. To make a right-handed cabinet a left-handed cabinet, simply turn the cabinet upside down. Installation is easier if you start in the corners and work your way out. This is true for both wall, tall and base cabinet installation.

Wall Cabinet Installation

CONSTRUCT A T-BAR SUPPORT

When installing wall cabinets first (as recommended), use the T-Bar Support Method. Start by constructing a T-Bar as shown. You can then use this to prop up the wall cabinets as you install them.



Use the T-Bar method to install wall cabinets.

INSTALL CORNER UNIT

On the wall, measure from the line representing the outside of the cabinet to the center of the stud. Transfer this measurement to the back of the cabinet, $1\frac{1}{2}$ " from the cabinet top, to mark the stud locations. Drill two (2) $\frac{7}{32}$ " holes through the outside of the back of the cabinet. Then drill two $\frac{7}{32}$ " holes through the cabinet back, $1\frac{1}{2}$ " from the bottom of the cabinet. Place the cabinet on the T-Bar, using the markings on the wall to make sure it is plumb and level. Shim into position where necessary. Use the furnished 3" screws to fasten the cabinet to the wall.



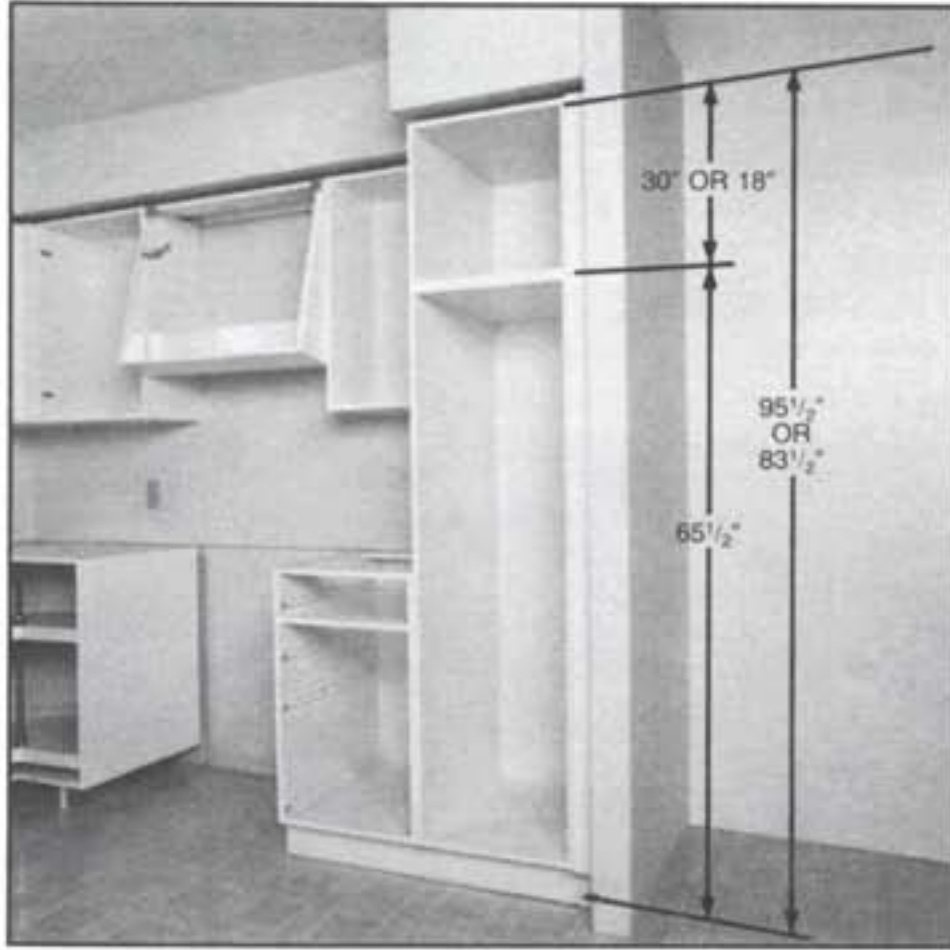
INSTALL REST OF CABINETS

Continue installation. Clamp units together and fasten with $1\frac{1}{8}$ " connector screws provided.



Tall Cabinet Installation

Tall cabinets are oven cabinets, utility cabinets, and other specialty cabinets that are 65½" high. These are usually combined with 30" or 18" upper wall cabinets to form a tall cabinet assembly with a total height of 95½" or 83½". Upper cabinets include their own installation instructions. Unless they are in a corner, it's best to install tall cabinets after the wall and base cabinets. Follow the same procedures used for base and wall cabinet installation. Remember to remove the doors and shelves first.



ATTACH SCRIBE TRIM MOLDING

If you need to accommodate trim or fill in any spaces between the cabinet top and the soffit, now is the time to attach any molding. Screw the molding along the tops of the cabinets, making sure they are flush with the door face. Use 1½" cabinet connector screws or equivalent size, available from hardware store.

Installing Specialty Items

To install range hoods and other specialty items, follow the instructions provided with each of these items.

Finishing Touches

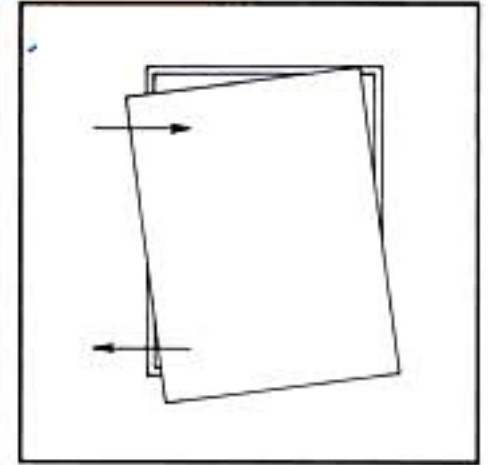
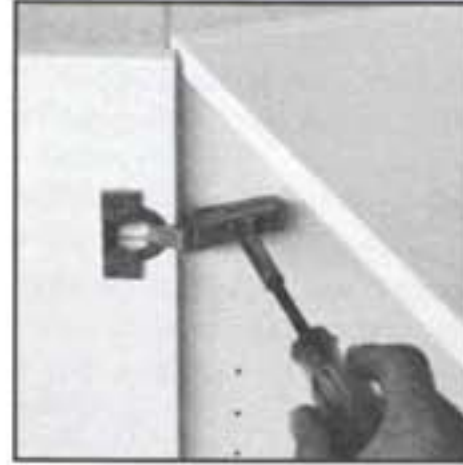
INSTALL COUNTER TOP

NOTE: IN ORDER TO ACHIEVE A PERFECT FIT, IT IS VERY IMPORTANT FOR YOU TO DOUBLE-CHECK YOUR COUNTER TOP MEASUREMENTS BEFORE ORDERING THE COUNTER TOP.

Carefully place the counter top on the cabinets and check for alignment. You will notice that each base cabinet has two cross rails. When making cut-outs for sinks or appliances it may be necessary to remove a portion of the cross rail. Drill up through these cross rails into the bottom frame of the counter top, being extremely careful not to drill through the counter top. A 1½" Phillips head screw is provided in each base cabinet installation package for securing the counter top.

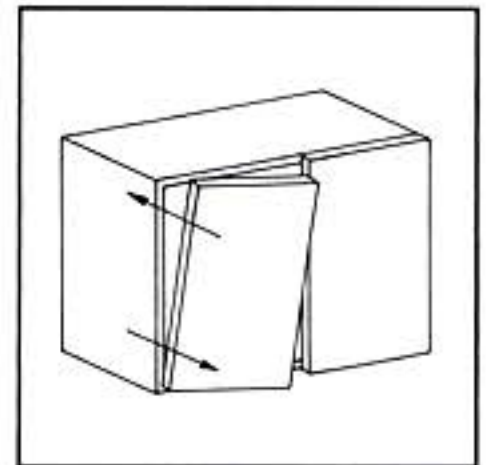
RE-ATTACH DOORS & ADJUST HINGES

After all cabinets are installed, re-attach the doors. **HINGE REPLACEMENT NOTE:** A ⅛" thick spacer placed between the cabinet face and door edge, in the open position, will provide proper spacing between closed door and cabinet face. Align doors by adjusting hinges as shown.



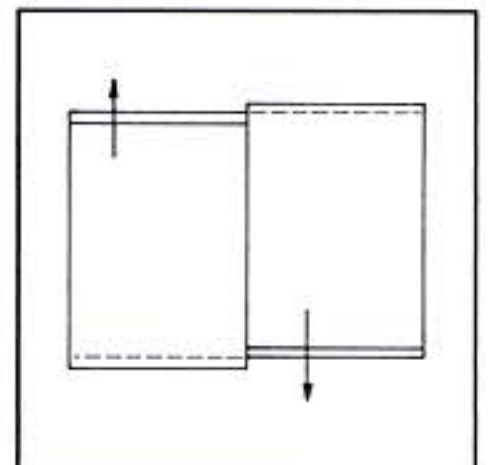
Side adjustment

Turn clockwise for more overlay. Turn counterclockwise for less overlay.



Depth adjustment

Loosen screw, position door, tighten screw.



Height adjustment

Loosen height screw on all hinges on door. Raise or lower door to position. Tighten all height adjustment screws.

DECORATIVE HARDWARE

To attach decorative hardware, use the Hardware Template Kit available from your Merillat dealer. The hardware template kit ensures proper handle placement and uniformity.

CONTINUOUS TOE KICK

A continuous toe kick is used to conceal the seams between base cabinets. Use a valance panel or a strip of matching laminate to conceal these seams. These can be attached with double-faced carpet tape. Strips of flooring also make a good material for a continuous toe kick.

MOLDINGS

Moldings are designed to fill gaps between cabinet tops and underside of soffit, and provide a color accent for your cabinets. A variety of trim moldings are available from your Merillat dealer. They come with installation instructions and suggested applications.

CARE AND CLEANING

Surfaces may be cleaned with a damp cloth moistened with non-detergent soap, and then rinsed and wiped dry with another cloth.

Glossary of Terms

BLIND PANEL

That portion of a base blind corner cabinet that is hidden from view by installing an adjoining cabinet.

CHALK LINE

A cord covered with chalk stretched between two points. When snapped the cord strikes the wall, transferring a straight line of chalk between the two points.

CROSS RAIL

Horizontal members on top of the base cabinet running parallel to the face and back. Used for fastening the counter top.

EDGE BAND

Material whose color matches the cabinet and is applied over an exposed edge of the core material to provide a finished appearance.

FILLER

Strips of like material and finish, attached at the end of a run or at a corner to provide drawer and door handle clearance, or to eliminate gaps between the cabinet and wall.

INVERTIBLE

Wall cabinets have no predesignated top or bottom. Hence, a single door cabinet can be turned "upside down" to accomplish a right or left hand opening.

LEFT HAND CABINET

A single door cabinet which is hinged on the left side.

LEVEL

The horizontal position with respect to a specific height measurement.

MITER

A joint where two boards form an angle, e.g.: Two boards cut at 45 degrees are joined and will form a 90 degree angle.

PILOT HOLE

A small hole drilled as a guide for starting a screw.

PLUMB

The vertical position which is perpendicular to a level line.

RIGHT HAND CABINET

A single door cabinet which is hinged on the right side.

SCRIBING

To trim a filler or countertop to compensate for and match irregularities as it meets the wall.

SHIM

A tapered piece of wood used to adjust the position of a cabinet so that it is plumb and level.

SOFFIT

Structural or non-structural enclosed area above wall cabinets. May be the same depth as wall or tall cabinetry or extended beyond the cabinet front.

STUD

2" x 4" or 2" x 6" dimensional lumber used in constructing frames for walls or partitions.

TOE KICK

Recessed area at the bottom of a base cabinet below the door.
