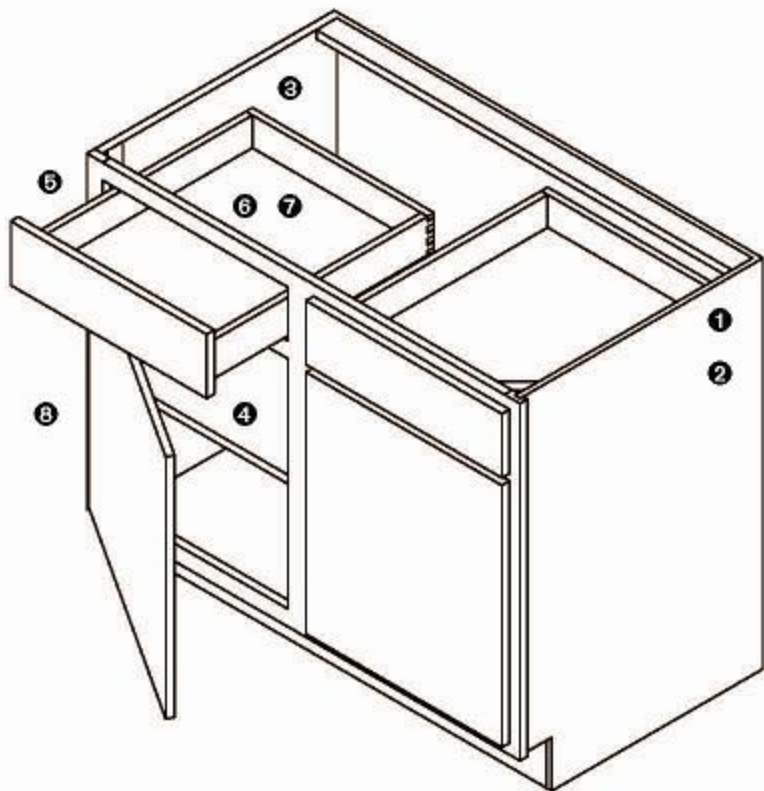
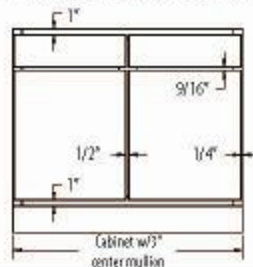


Framed Cabinet Construction



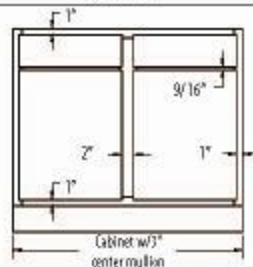
Door and Drawer Front Reveals

On cabinets without center mullion, center reveal is 1/8"



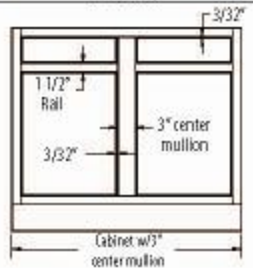
MODIFIED OVERLAY

- Doors and drawer fronts overlay the frame 1/2" on the top and bottom and 1 1/4" on each side.
- Top and bottom reveal is 1", side reveals are 1/4".



TRADITIONAL OVERLAY

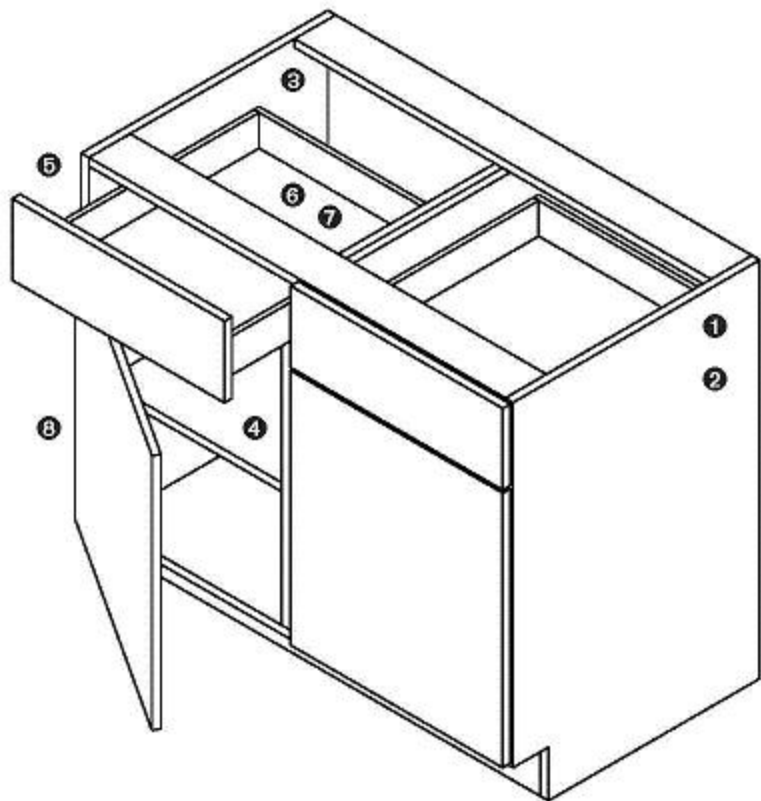
- Door and drawer fronts overlay the frame 1/2" on all sides.
- Top, bottom and side reveals are all 1".



INSET

- Doors and drawer fronts are recessed and flush with the frame.
- A 3/32" gap is present between the doors and drawer fronts and the face frame on all sides.

Frameless Cabinet Construction



Door and Drawer Front Reveals

- 1/16" between the door and/or drawer edge and side of cabinet.
- 1/8" horizontally or vertically between the doors and/or fronts
- 1/4" between the door or drawer and the top or bottom of cabinet.

