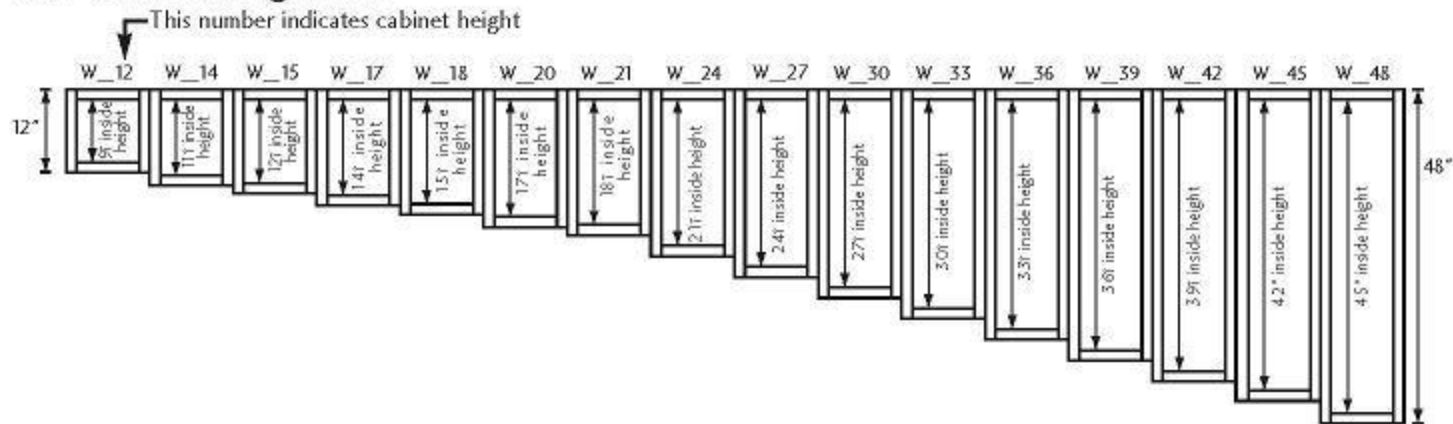


WALL CABINETS

Alignment, Standards and Dimensions

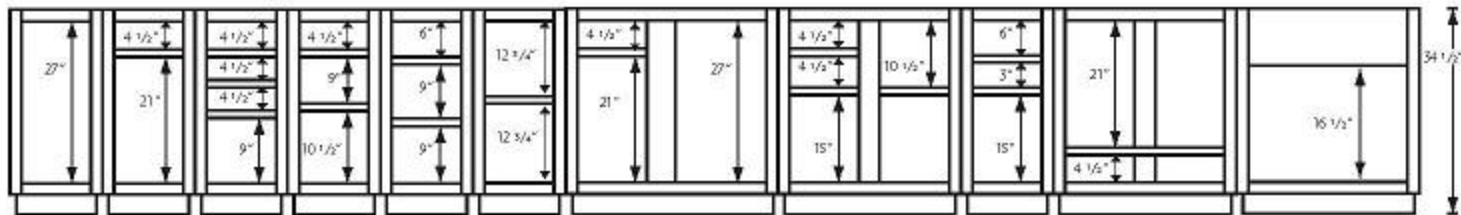
Wall Cabinet Alignment



BASE CABINETS

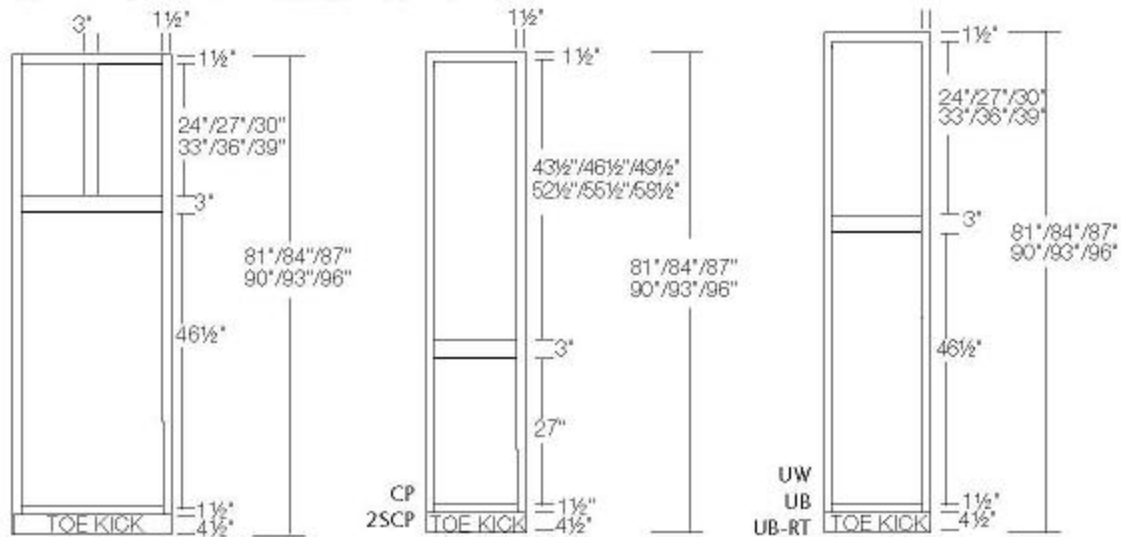
Alignment, Standards and Dimensions

Base Cabinet Alignment



UTILITY CABINETS

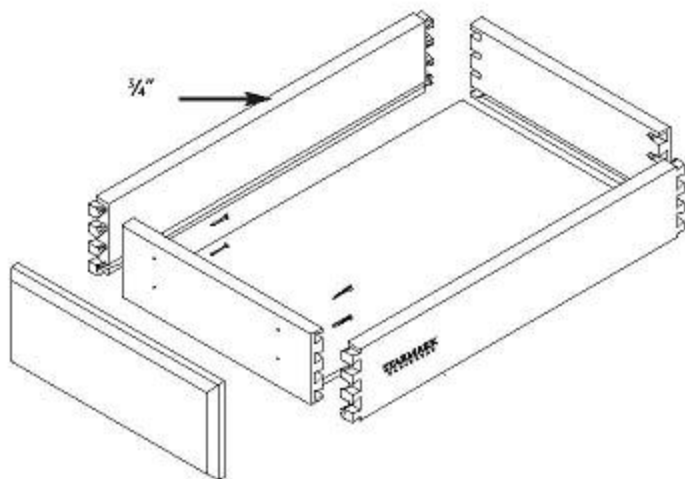
Alignment, Standards and Dimensions



► DRAWER BOX CONSTRUCTION

All wood, very durable.

The four-sided drawer box is constructed of $\frac{3}{4}$ " hardwood with dovetail corner joints. All surfaces are sealed and topcoated. A captive $\frac{1}{4}$ " plywood drawer bottom is surfaced with durable, easy-to-clean melamine.



► DRAWER GLIDE SYSTEM

BLUMOTION®

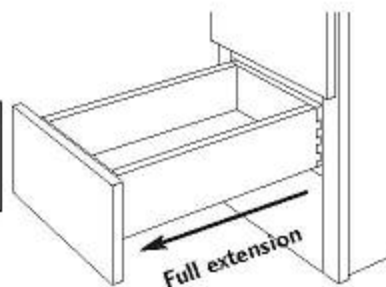
Full extension, self-closing, and so-o-o quiet.

Drawer glides are Blum's Soft Close, featuring full extension and quiet, self-closing track system. The drawer glides are undermounted to the drawer box to virtually eliminate any drawer hardware from being visible.

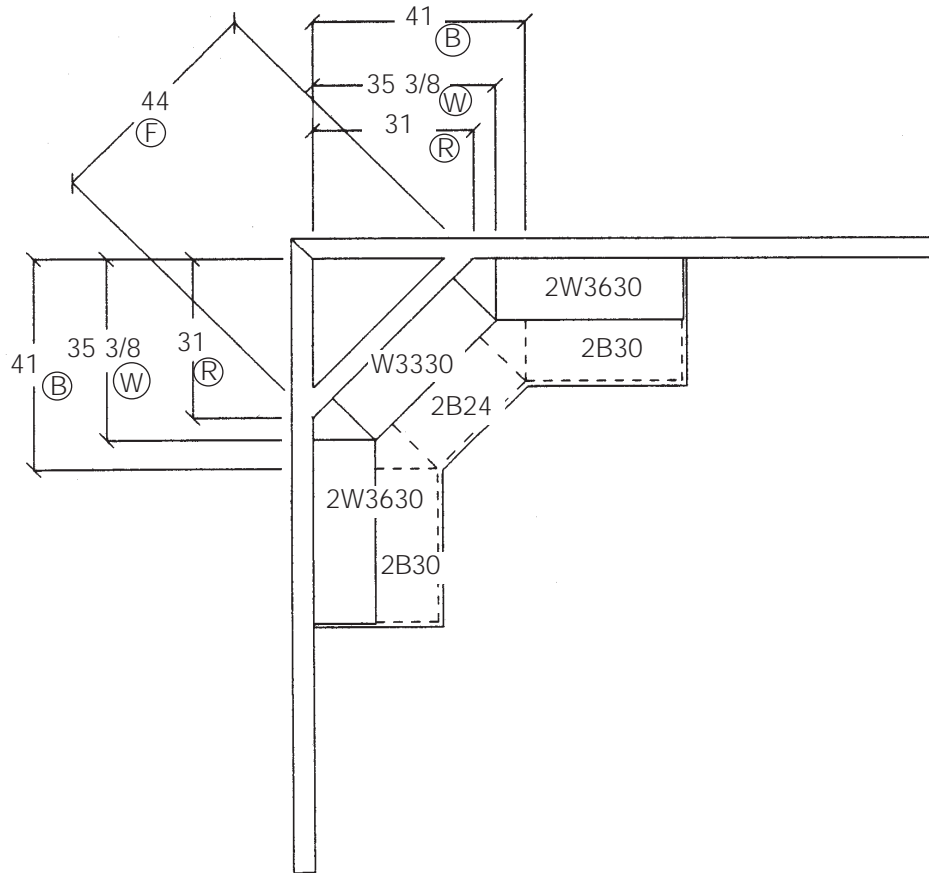
Each glide includes ball-bearing movement and an automatic closing feature to ensure smooth and positive operation. Glides are mounted to the rear of each cabinet with mounting sockets, automatically centering the drawer, for proper drawer alignment. Release triggers are located under the drawer box for detaching a drawer from the glides.

Each drawer glide system is rated at 100 pounds.

Undermount full extension
 $\frac{3}{4}$ " drawer material
Blumotion Soft Close



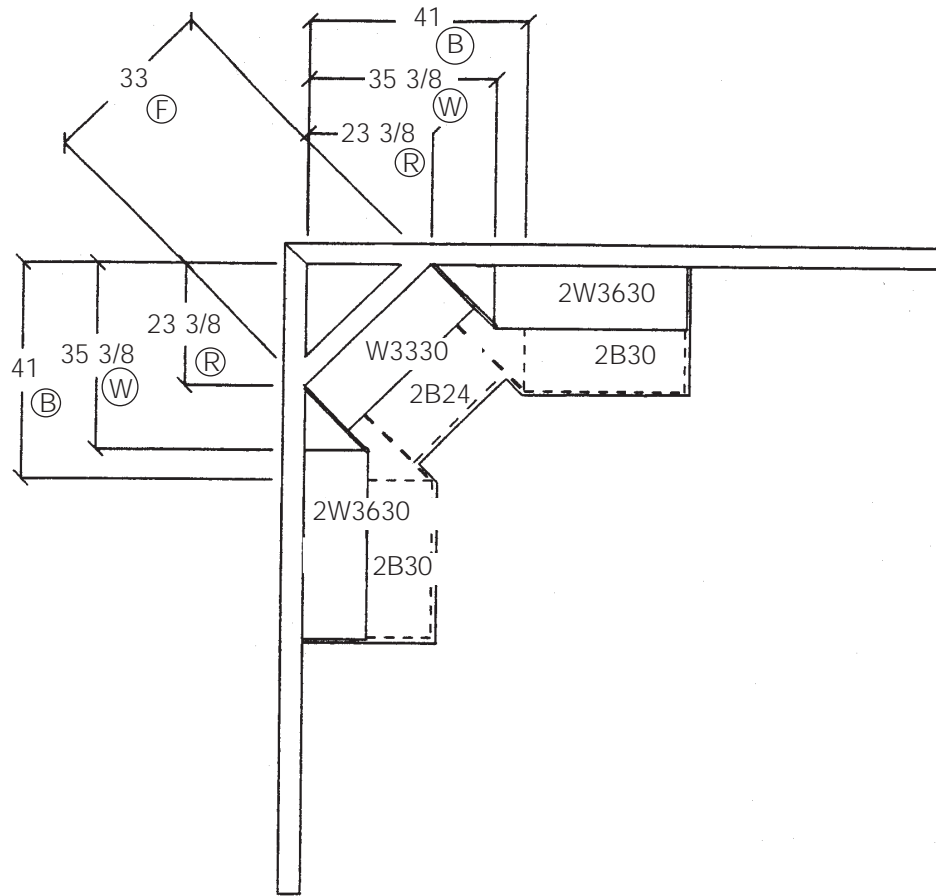
DIAGONAL CORNER DETAIL



DIAGONAL CORNER DETAIL

Base Cabinet		Wall Cabinet		False Wall	
Base Cabinet	From Corner (B)	Wall Cabinet	From Corner (W)	False Wall (F)	From Corner (R)
12	32½	21	26⅞	32	22½
15	34⅝	24	29	35	24⅝
18	36¾	27	31⅞	38	26¾
21	38⅞	30	33¼	41	28⅞
24	41	33	35⅜	44	31
27	43⅛	36	37½	47	33⅛
30	45¼	39	39⅝	50	35¼
33	47⅜	42	41¾	53	37⅜
36	49½	45	43⅞	56	39½
39	51⅝	48	46	59	41⅝
42	53¾	51	48⅛	62	43¾
45	55⅞	54	50¼	65	45⅞
48	58	57	52⅜	68	48

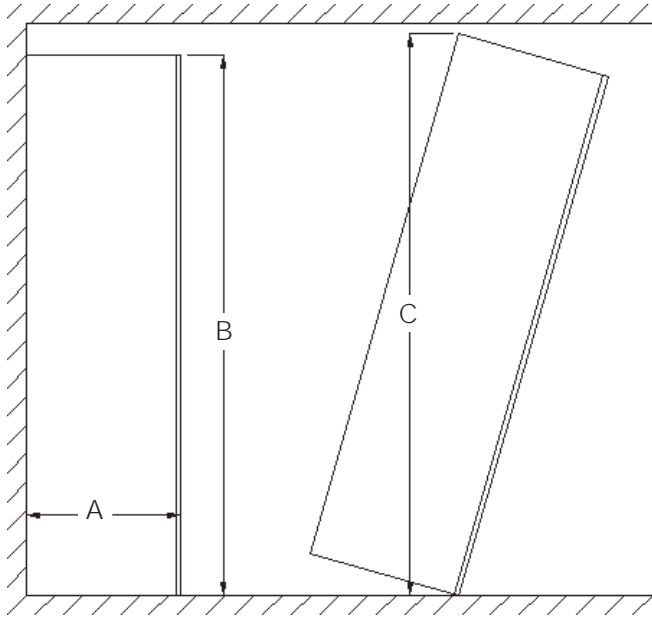
RECESSED CORNER DETAIL



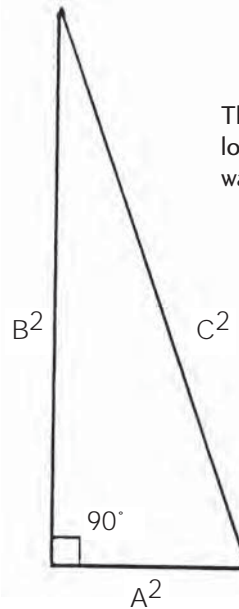
RECESSED CORNER DETAIL

Base Cabinet		Wall Cabinet		False Wall	
Base Cabinet	From Corner (B)	Wall Cabinet	From Corner (W)	False Wall (F)	From Corner (R)
12	32 ¹ / ₂	21	26 ⁷ / ₈	21	14 ⁷ / ₈
15	34 ⁵ / ₈	24	29	24	17
18	36 ³ / ₄	27	31 ¹ / ₈	27	19 ¹ / ₈
21	38 ⁷ / ₈	30	33 ¹ / ₄	30	21 ¹ / ₄
24	41	33	35 ³ / ₈	33	23 ³ / ₈
27	43 ¹ / ₈	36	37 ¹ / ₂	36	25 ¹ / ₂
30	45 ¹ / ₄	39	39 ⁵ / ₈	39	27 ⁵ / ₈
33	47 ³ / ₈	42	41 ³ / ₄	42	29 ³ / ₄
36	49 ¹ / ₂	45	43 ⁷ / ₈	45	31 ⁷ / ₈
39	51 ⁵ / ₈	48	46	48	33
42	53 ³ / ₄	51	48 ¹ / ₈	51	35 ¹ / ₈
45	55 ⁷ / ₈	54	50 ¹ / ₄	54	37 ¹ / ₄
48	58	57	52 ³ / ₈	57	39 ³ / ₈

TALL CABINET DETAIL



$$A^2 + B^2 = C^2$$



The toe kick for a 96" high cabinet is sent loose. Please specify in your order if you want the toe kick factory applied.

TALL CABINET DETAIL			
Depth (A)	Height (B)	Tipped Height* (C)	Tipped Height with Toe Kick
12	81	77 ¹ / ₂	81 ¹⁵ / ₁₆
18	81	78 ⁵ / ₈	83
21	81	79 ³ / ₈	83 ¹¹ / ₁₀
24	81	80 ³ / ₁₆	84 ¹ / ₂
12	84	80 ⁷ / ₁₆	84 ⁷ / ₈
18	84	81 ¹ / ₂	85 ¹⁵ / ₁₆
21	84	82 ¹ / ₄	86 ⁵ / ₈
24	84	83 ¹ / ₁₆	87 ³ / ₈
12	87	83 ³ / ₈	87 ⁷ / ₈
18	87	84 ¹ / ₂	88 ⁷ / ₈
21	87	85 ³ / ₁₆	89 ¹ / ₂
24	87	86	90 ¹ / ₄

TALL CABINET DETAIL			
Depth (A)	Height (B)	Tipped Height* (C)	Tipped Height with Toe Kick
12	90	86 ³ / ₈	90 ¹³ / ₁₆
18	90	87 ³ / ₈	91 ¹³ / ₁₆
21	90	88 ¹ / ₁₆	92 ⁷ / ₁₆
24	90	88 ⁷ / ₈	93 ³ / ₁₆
12	93	89 ⁵ / ₁₆	93 ³ / ₄
18	93	90 ⁵ / ₁₆	94 ³ / ₄
21	93	91	95 ³ / ₈
24	93	91 ³ / ₄	96 ¹ / ₁₆
12	96	92 ⁵ / ₁₆	96 ³ / ₄
18	96	93 ¹ / ₄	97 ¹¹ / ₁₆
21	96	93 ⁷ / ₈	98 ⁵ / ₁₆
24	96	94 ⁵ / ₈	99

* Box height with toe kick removed.